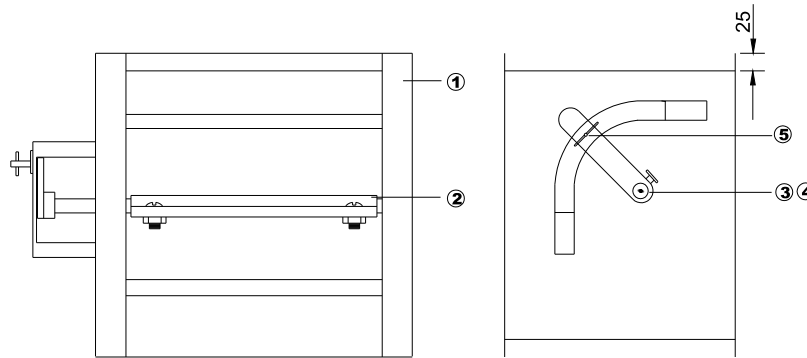
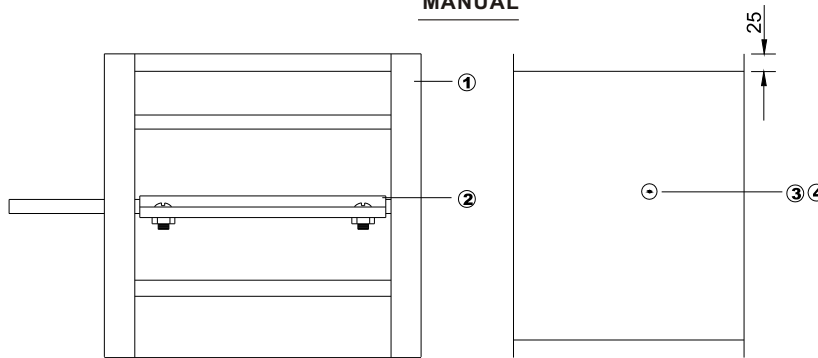




# VOLUME CONTROL DAMPER



MANUAL



MOTORIZED

## APPLICATION

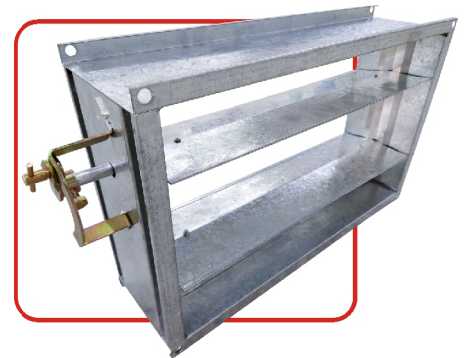
Volume Control Damper is primarily used in conditioning and ventilation systems. They are also used in ductwork system balancing and functional in the controlling of air within ductwork system/air handling units i.e. Air control at mixing box, faces and bypass dampers, etc..

## CONSTRUCTION

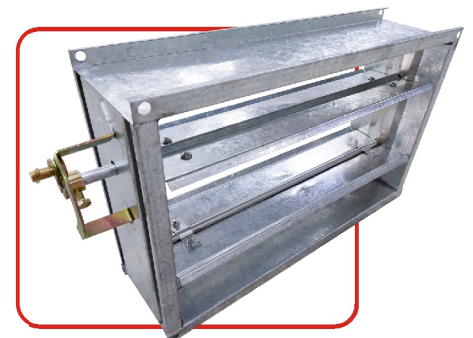
- ❶ Casing: G.I. Sheet 1.0 - 2.0mm thick  
S.S. Sheet 1.0-1.2mm thick, upon request
- ❷ Blade: G.I. / S.S Sheet 0.8mm thick,  
Aerofoil / Single skin, upon request
- ❸ Spindle: G.I. Steel / Stainless Steel
- ❹ Bearing: Brass
- ❺ Locking Hand Quadrant: Steel  
Also available in S.S. 304, upon request.

## STANDARD SIZES

Minimum: 100mm X 100mm X 150mm  
Maximum: 2440mm X 2440mm X 150mm



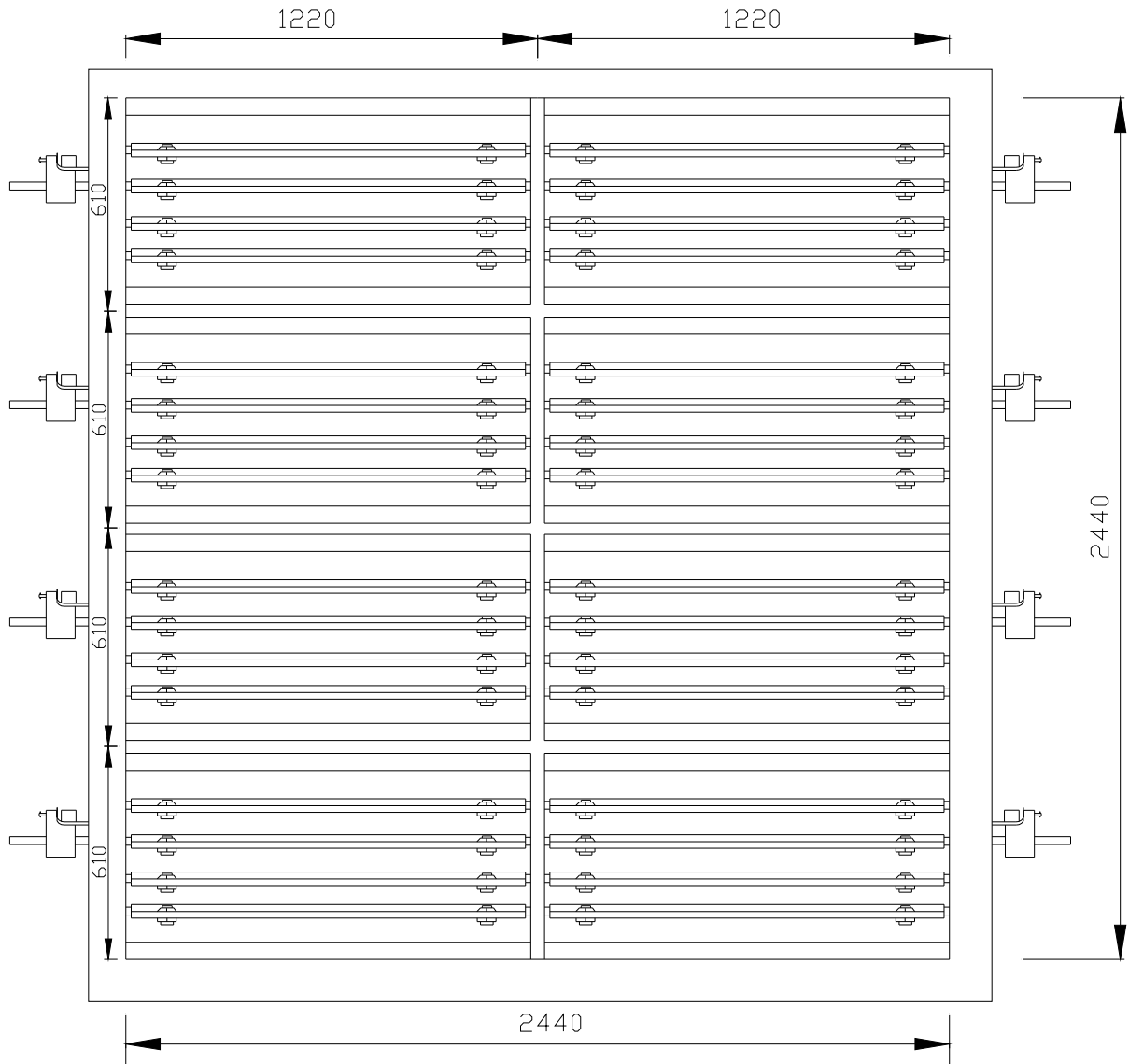
MODEL: LM-AVCD  
Aerofoil Blade VCD



MODEL: LM-SVCD  
Single Skin Blade VCD



# MUTIPLE SECTION VOLUME CONTROL DAMPER



No.7 , Mingcheng Road, Shijing Community, Shijing Street,  
Pingshan District, Shenzhen City, Guangdong Province, P.R.China.  
TEL: (86-755) 8993 7642 (852) 8302 4988  
FAX: (86-755) 8993 7775 (86-755) 8993 7286  
E-MAIL: info@luenming.com  
WEBSITE: www.luenming.com

11/F, Gemmy Factory Building, 12 Hung To Road, Kwun Tong,  
Kowloon, HongKong.  
TEL: (852) 2797 2168 FAX: (852) 2790 1254  
E-MAIL: info@luenming.com  
WEBSITE: www.luenming.com