



JET DIFFUSER



FEATURES

- ▶ Constructed from extruded aluminum , mild sheet steel or stainless sheet steel.
- ▶ Long throw characteristic & high air handing capacity.
- ▶ Eyeball type core rotation.
- ▶ Easy to install, adjust & maintenance.

ASSESSORIES

- ▶ Opposite Blade Damper: Located behind the diffuser or air plenums enamel completed with matt black baked enamel finish.

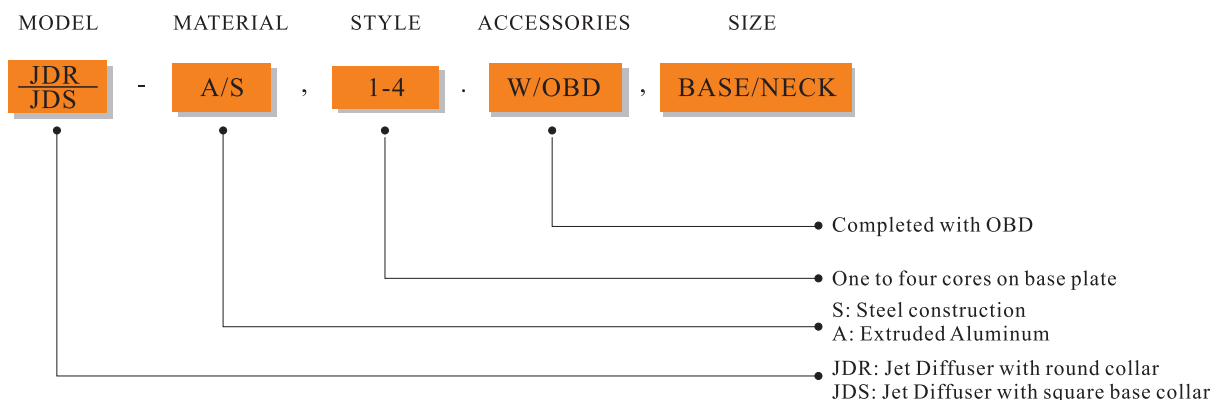
FINISH

- ▶ Aluminum Construction
Natural anodize or baked enamel in white as a standard, special anodize or baked enamel in various color are also available on request
- ▶ Steel Construction
White baked enamel as a standard finish, special color finish are also available to match architectural requirement.

DESCRIPTION

- ▶ Jet diffusers are designed to handle high air flow rates & provide relatively long throws which is particularly suitable for air conditioning of large spaces such as halls, terminal buildings & commercial centre, shopping arcade etc.

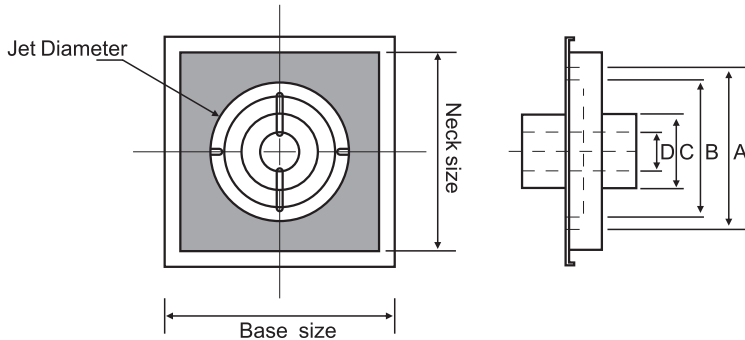
ORDERING INFORMATION



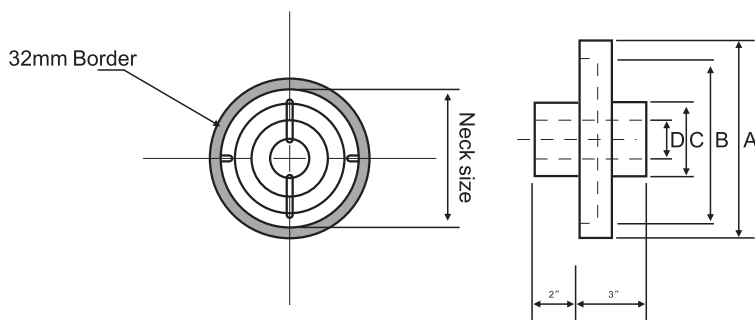
EXAMPLE: Model: **JDR1-A-1, W/OBD, 264(B)×200 (N)**
 Aluminum Jet Diffuser with round collar completed with
 Opposite Blade Damper 264mm Base with 200mm Neck.



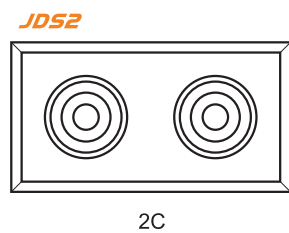
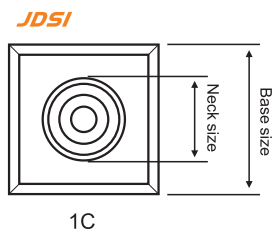
TYPE & DIMENSIONS



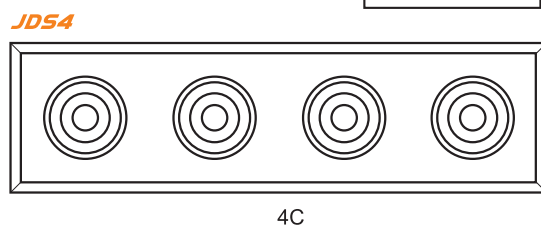
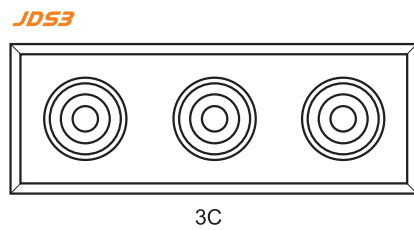
MODEL	BASE (B)	NECK (N)	DIMENSION			
			A	B	C	D
JDS1	270	200	120	100	80	35
JDS2	320	250	150	130	100	45
JDS3	370	300	200	175	125	55
JDS4	420	350	300	220	170	65



MODEL	NECK (N)	DIMENSION			
		A	B	C	D
JDR1	200	120	100	80	35
JDR2	250	150	130	100	45
JDR3	300	200	175	125	55
JDR4	350	300	220	170	65



MODEL	BASE (B)	NECK (N)	DIMENSION			
			1C	2C	3C	4C
JDSS1	270	200	200	380	570	760
JDSS2	320	250	250	480	710	940
JDSS3	370	300	300	585	860	1150
JDSS4	420	350	350	685	1015	1350



PERFORMANCE DATA

NECK SIZE (mm)	NECK AREA (m ²)	FLOW RATE PER DIFFUSER (M ³ /S)	PERFORMANCE DATA									
			0.1	0.13	0.15	0.2	0.25	0.3	0.4	0.5	0.6	0.8
DIA.200	0.03	STATIC PRESSURE LOSS (pa)	18	28	40	65	110	160	-	-	-	-
		THROW(m)	5.6	6.9	8.0	11.3	14.8	16.5	-	-	-	-
		NCVALUE	-	26	30	38	44	50	-	-	-	-
DIA.250	0.05	STATIC PRESSURE LOSS(pa)	6	10	14	21	31	48	80	-	-	-
		THROW(m)	3.9	5.0	5.8	7.0	10.0	11.8	16.3	-	-	-
		NCVALUE	-	23	28	36	42	47	54	-	-	-
DIA.300	0.07	STATIC PRESSURE LOSS (pa)	-	-	4	8	13	18	30	45	60	105
		THROW(m)	-	-	4.8	6.6	8.3	9.5	13.0	15.7	19.8	25.5
		NCVALUE	-	-	-	-	25	30	39	45	50	59
DIA.350	0.10	STATIC PRESSURE LOSS (pa)	-	-	-	3	5	7	12	20	30	50
		THROW(m)	-	-	-	2.6	3.3	3.9	5.2	6.0	7.8	9.5
		NCVALUE	-	-	-	-	-	-	26	31	38	43